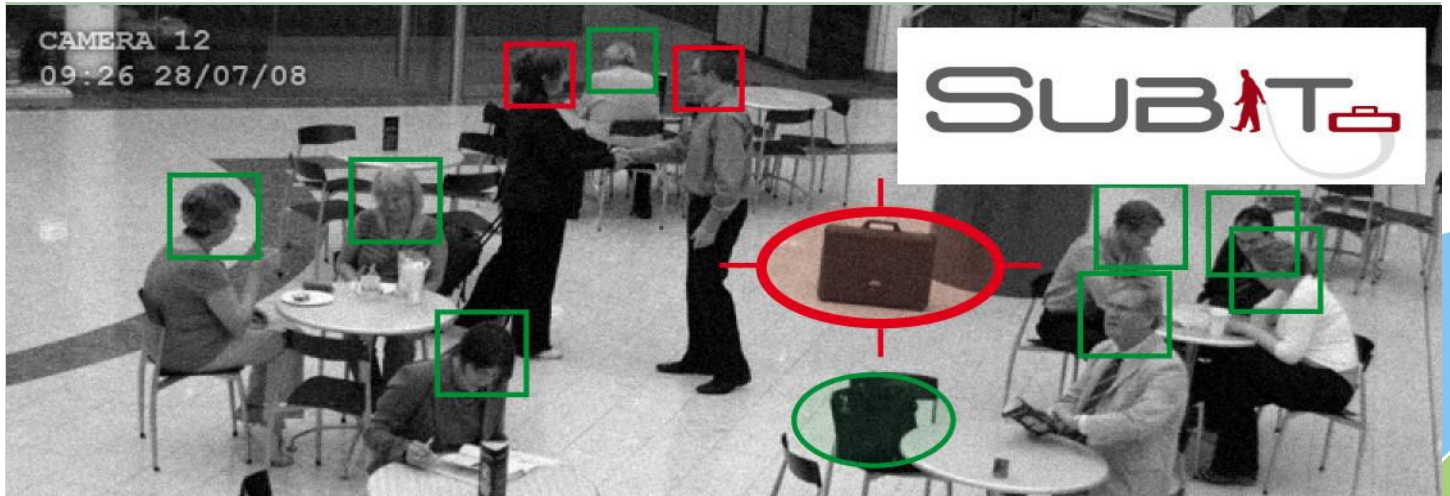




# SUBITO

Surveillance of Unattended Baggage and the Identification and Tracking of the Owner  
Grant Agreement Number 218004



## The Problem: Unattended Baggage Threat

- Explosives placed in ordinary baggage have brought chaos to mass transportation hubs and other critical infrastructures.
  - Monitoring and surveillance of unattended baggage is therefore a high priority for security teams.
- The use of CCTV and related sensing technologies is widespread, enabling a huge amount of data to be collected.
- However, too much data can overload system operators, increasing the number of false alarms and further disrupting facility operation.
- Therefore, end users require automated data analysis technology capable of detecting credible abandoned baggage threats and identifying and locating the individual responsible.
- To date, robust systems capable of fully addressing this requirement are not well developed.

## The Solution: SUBITO

### SUBITO will provide:

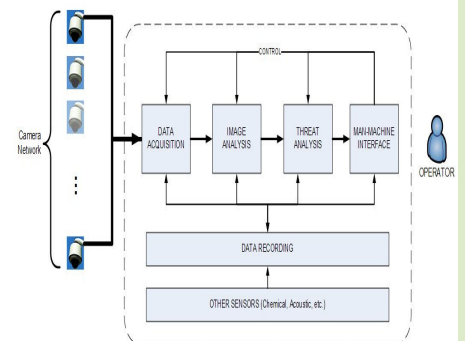
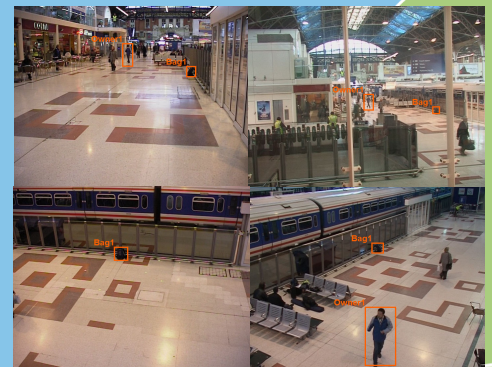
- Automatic, real-time detection of abandoned baggage.
- Fast identification of the individual responsible.
- Fast determination of the individual's current location.
  - A reduced false alarm rate.
- 24/7 full CCTV network coverage
- Interactive operation with security system operators.
- A demonstration system driven by end user requirements

### Contact:

David Humphreys  
SUBITO Lead Engineer  
SELEX Galileo  
2 Crewe Road North  
Edinburgh  
EH5 2XS  
Tel: +44 (0) 131 343 8795  
Fax: +44 (0) 131 343 8110  
E-mail:

[david.humphreys@selexgalileo.com](mailto:david.humphreys@selexgalileo.com)

Web: <http://www.subito-project.eu/>



## SUBITO Technology Workshop August 2010

Join security end users, operators and industry experts to:

- Receive a briefing on SUBITO
- Discuss future requirements for surveillance technologies
- Showcase your own Framework 7 programme and network with other experts in your field.

For more details, and to register your interest, please speak to the SUBITO representatives at today's workshop or email:

[mark.daniell@selexgalileo.com](mailto:mark.daniell@selexgalileo.com)

